

# Z664 6" WIDE HEAVY-DUTY MODULAR TRENCH DRAIN



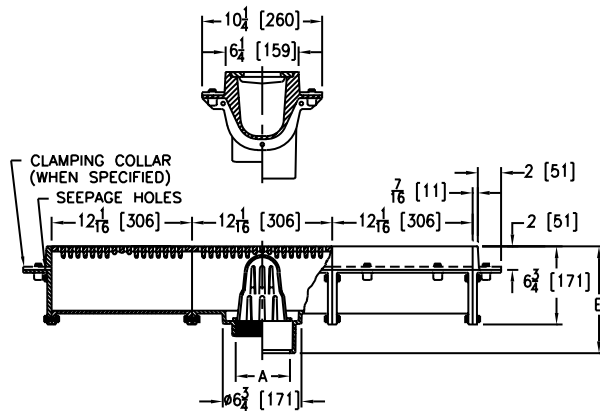
## ENGINEERING SPECIFICATION

Zurn Z664 6" wide top modular trench drain features Dura-Coated cast iron drain section with bottom outlet and secondary dome strainer. Both 12" long outlet module and extension modules are complete with integral seepage pan and loose heavy-duty, slotted, heel-proof grate.

## NOTES

†Add 1/8 [203] to 'E' and 2" dimension for ZB and ZN

A Pipe Size inch [mm]	Grate Open Area sq in [cm <sup>2</sup> ]	Approximate Weight lb [kg]
2 [51], 3 [76], 4 [102]	14 [90]	35 [16]



PREFIXES	DESCRIPTION	PIPE SIZE	LIST PRICE
Z664*	D.C.C.I. Body and Top	2", 3", 4"	1,033.00
ZB664	D.C.C.I. Body with Polished Bronze Top	2", 3", 4"	2,204.00
ZN664	D.C.C.I. Body With Veneers (304SS Standard)	2", 3", 4"	2,327.00

OUTLETS (SPECIFY PIPE SIZE IN INCHES AND TYPE OF OUTLET)			
OUTLET TYPE	PIPE SIZE/OUTLET TYPE	E BODY HT. DIM.	ADD
IC	Inside Caulk	2IC, 3IC, 4IC	9-1/8" N/C
IP	Threaded	2IP, 3IP, 4IP	9-1/8" 80.00
NH	No-Hub (IP w/Z1040)	2NH, 3NH, 4NH	- N/C
NL	Neo-Loc	2NL, 3NL, 4NL	8-3/8" N/C

SUFFIXES	ADD
-AR	Acid Resisting Epoxy Coated Cast Iron (Per Section) 520.00
-C	Clamp Collar (Per Section) 158.00
-DG	Duresist Grate (Per Section) 325.00
-ES	12" Extension Section (Specify Number of Sections Required)
	Z 1,033.00
	ZB 2,204.00
	ZN 2,327.00
-G	Galvanized Cast Iron (Per Section) 323.00
-M	Side Outlet Adapter Via End Plate 290.00
-SQ	Square Hole Grate (Per Section) (Z Only) 767.00
-TS	Top Secured with Slotted Screws (Per Section) 181.00
-V	Backwater Valve (See Z1099) (Per Outlet) -
-VP	Vandal-Proof Secured Top (Per Section) 242.00
-Y	Sediment Bucket (Per Outlet Section) 292.00

BEST SELLERS	LIST PRICE
Z664-4IP-ES(7)	8,344.00
Z664-4NH(8)-DG-ES(80)	91,229.00
Z664-4NH-ES(13)	14,462.00
Z664-4NL-ES(15)	16,528.00
Z664-4NL-ES(9)	10,330.00
Z664-ES	1,033.00

Supplied By:



877-903-7246

www.commercialplumbingsupply.com

\*Regularly furnished unless otherwise specified.

Items designated as Best Sellers are most specified and are generally in stock for shipment.

⌚ This symbol denotes a product that is engineered to reduce installation and rework time.

For additional product information, please visit [www.zurn.com](http://www.zurn.com)